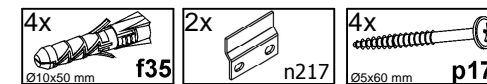
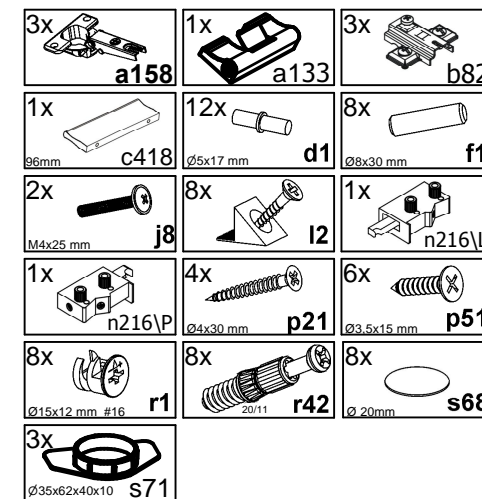
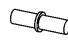




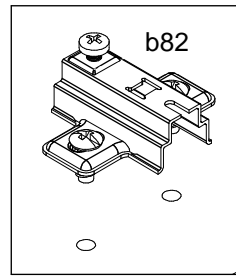
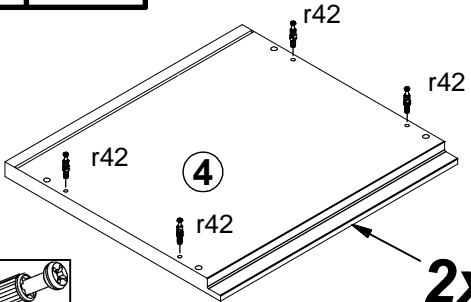
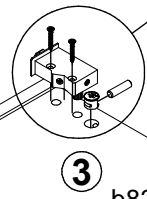
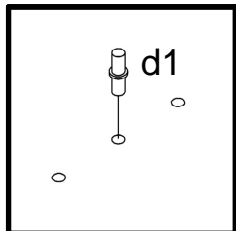
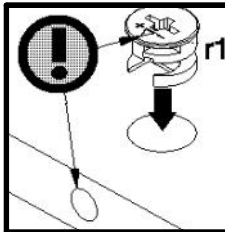
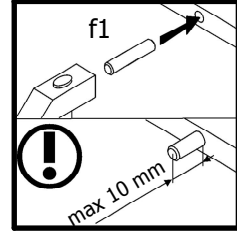
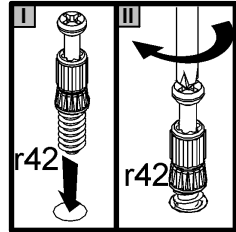
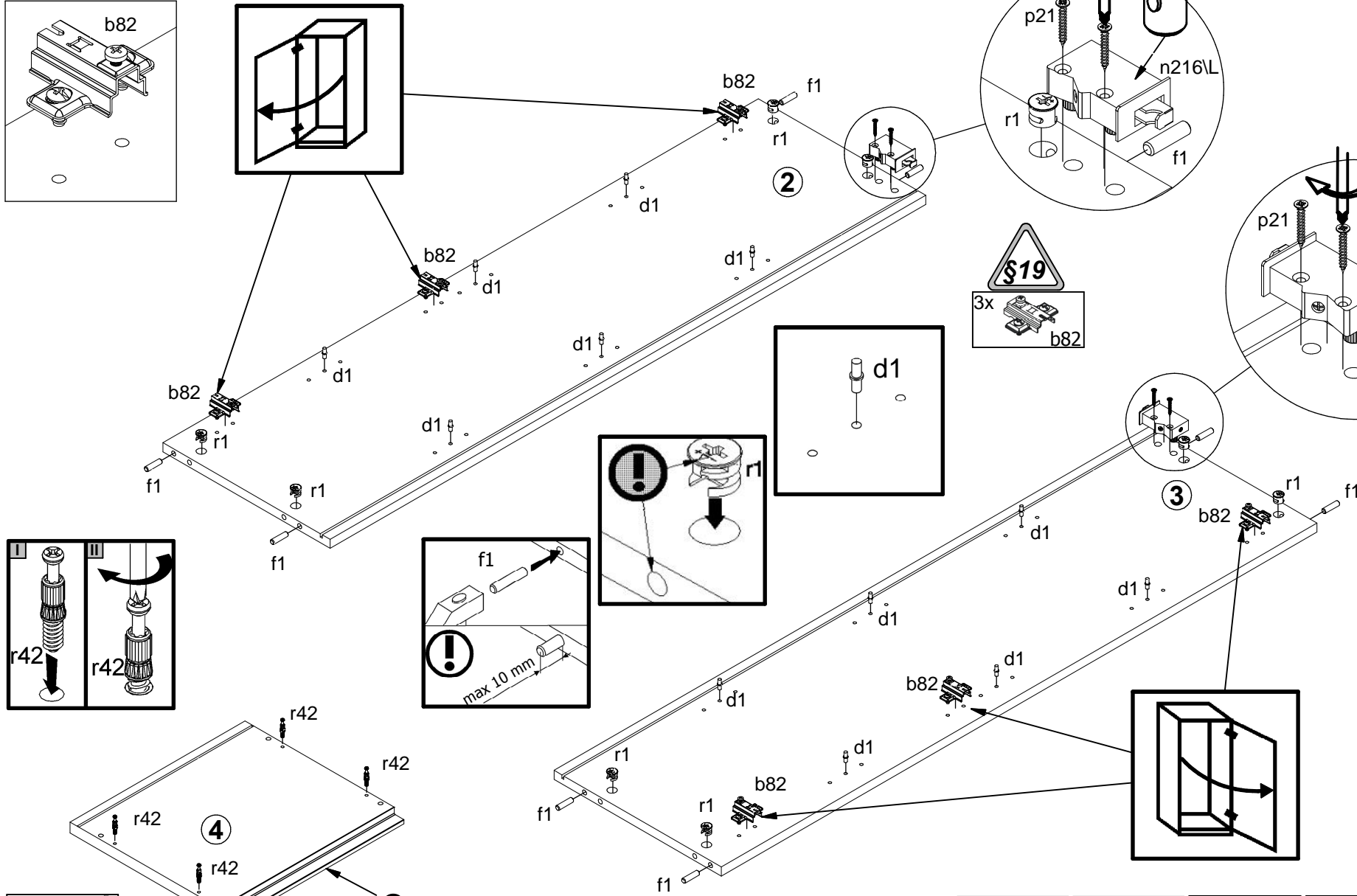
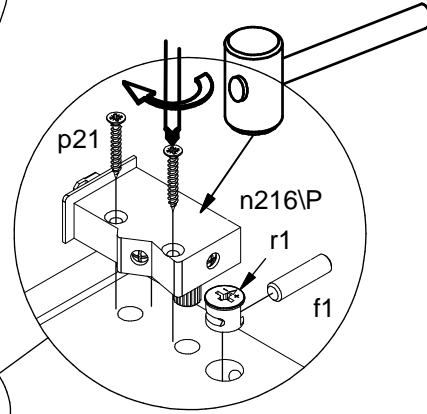
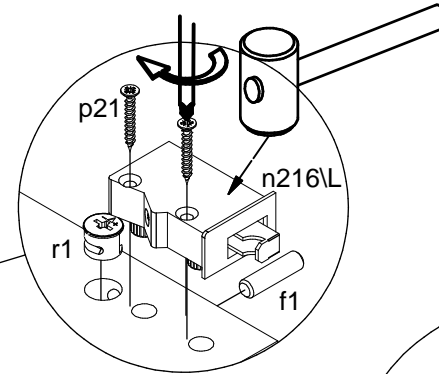
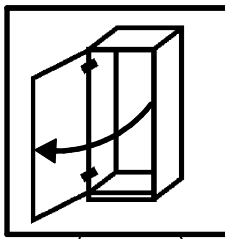
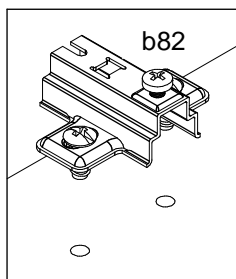



A	B	C1	C2	C3	D
1	S507-0001	1232	396	19	1/1
2	S507-1005	1210	340	16	1/1
3	S507-1006	1210	340	16	1/1
4	S507-2003	400	363	22	1/1
5	S507-3007	366	310	16	1/1
6	S507-9006	1220	377	2,5	1/1

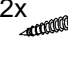

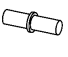




- 6x  d1 Ø5x17 mm
- 4x  r1 Ø15x12 mm #16
- 4x  f1 Ø8x30 mm
- 1x  n216L
- 2x  p21 Ø4x30 mm



- 4x  r42 20/11

2x

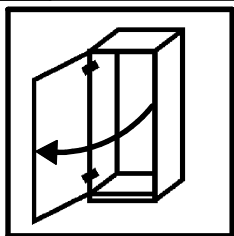
- 2x  p21 Ø4x30 mm
- 1x  n216P
- 6x  d1 Ø5x17 mm
- 4x  r1 Ø15x12 mm #16
- 4x  f1 Ø8x30 mm

A

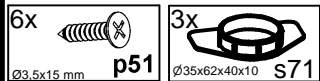
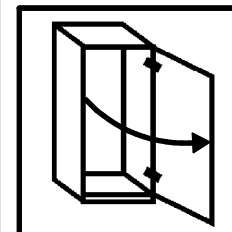
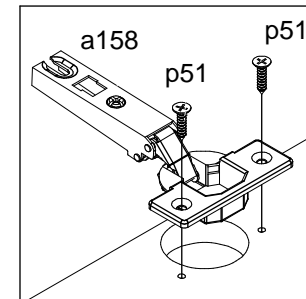
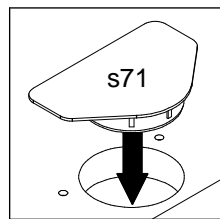
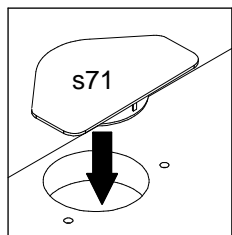
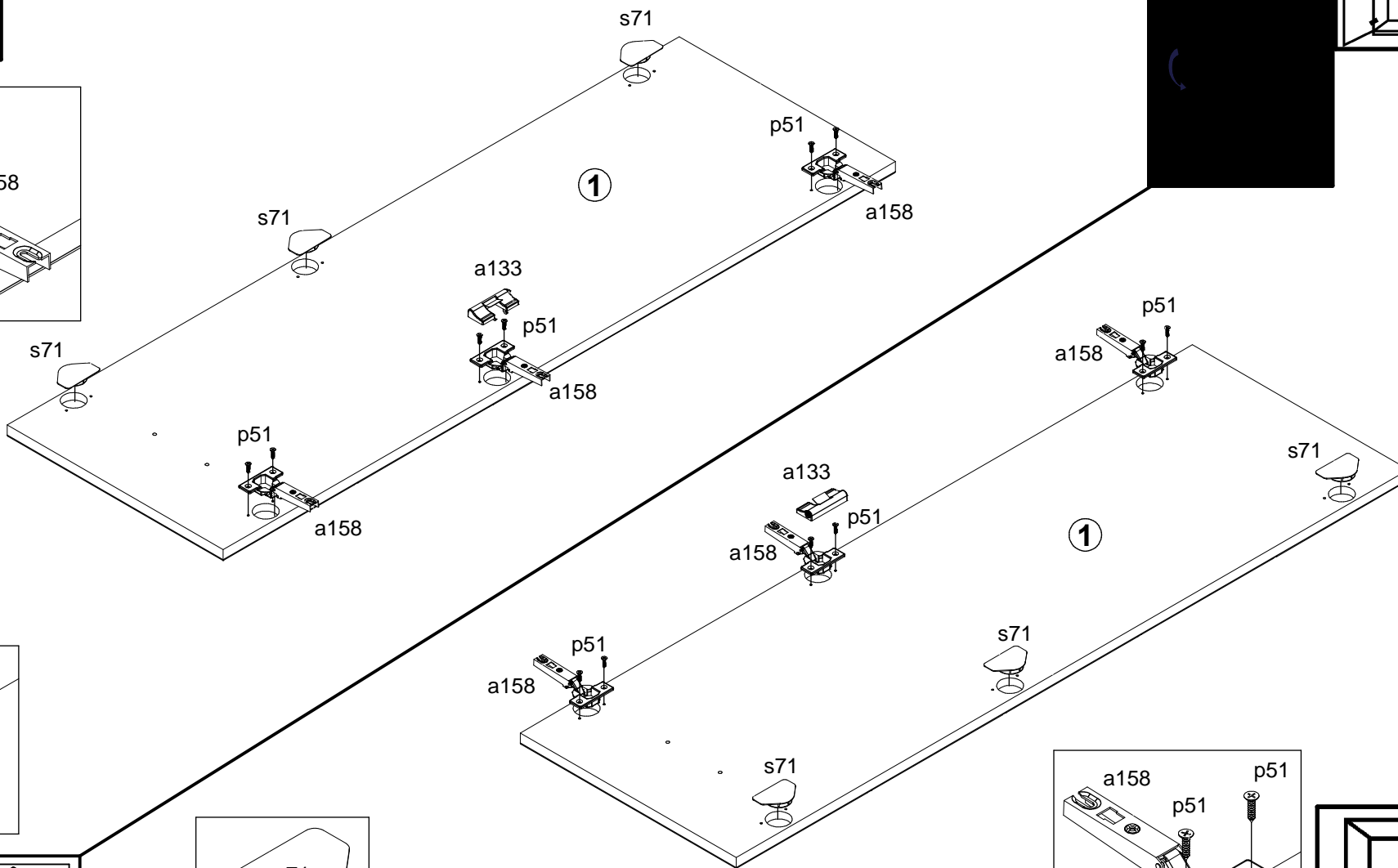
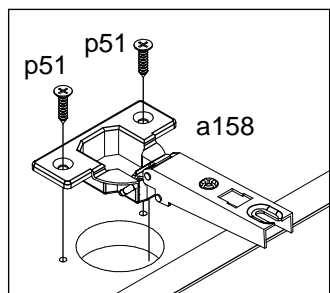
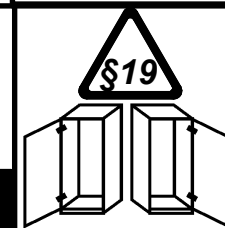
S507-SFW1D/13/4

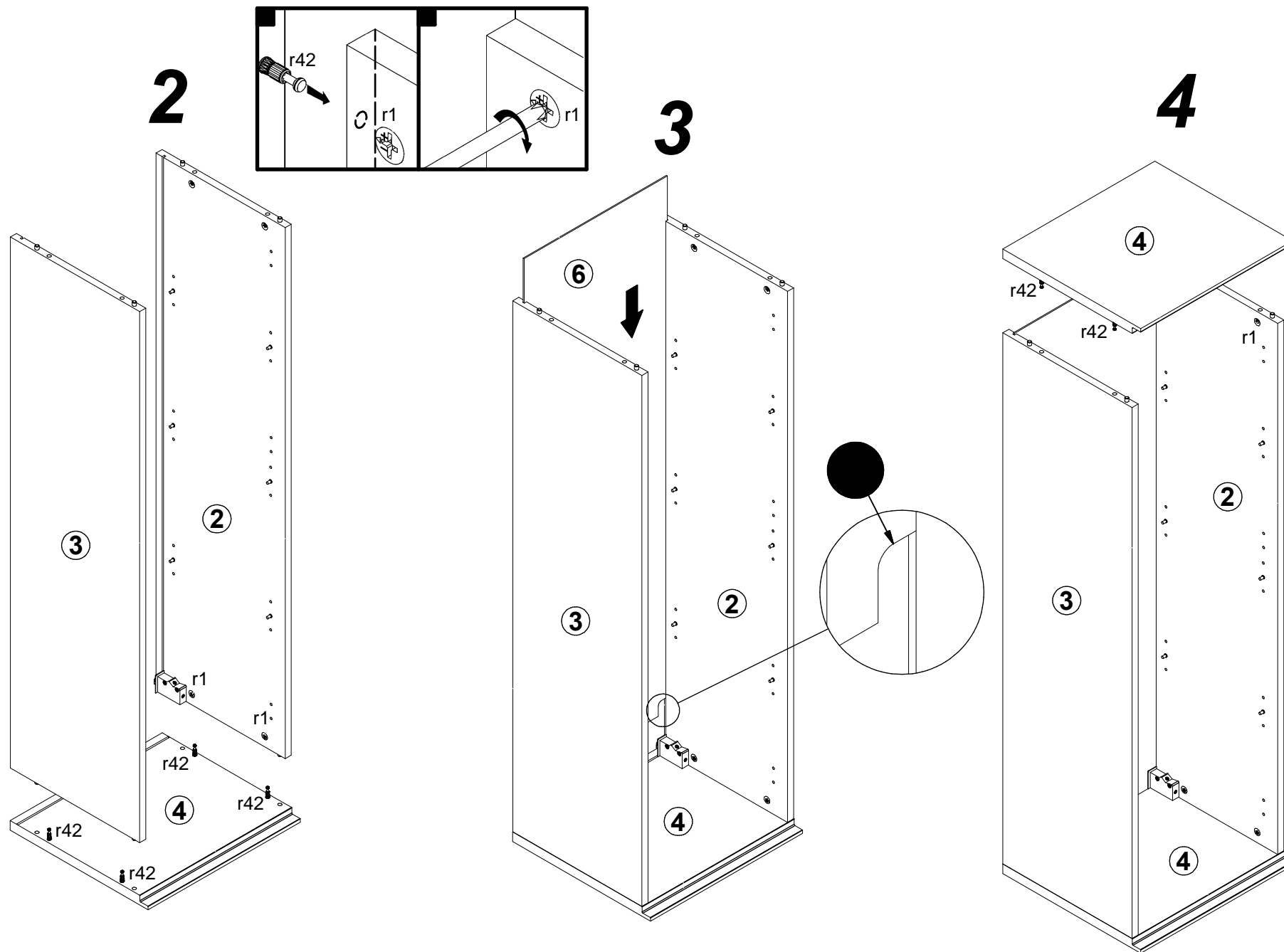
10 H9 -- 11

4 / 8



1



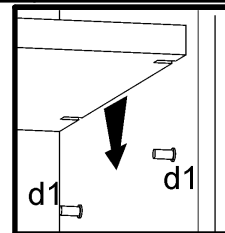
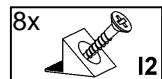
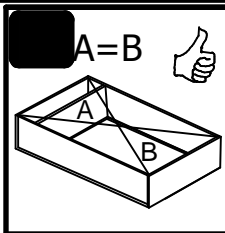
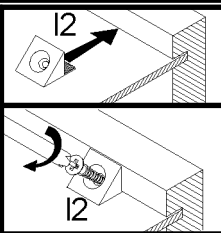
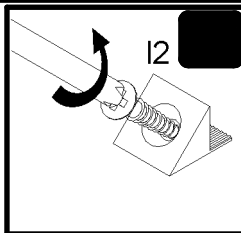
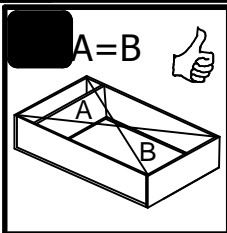


A

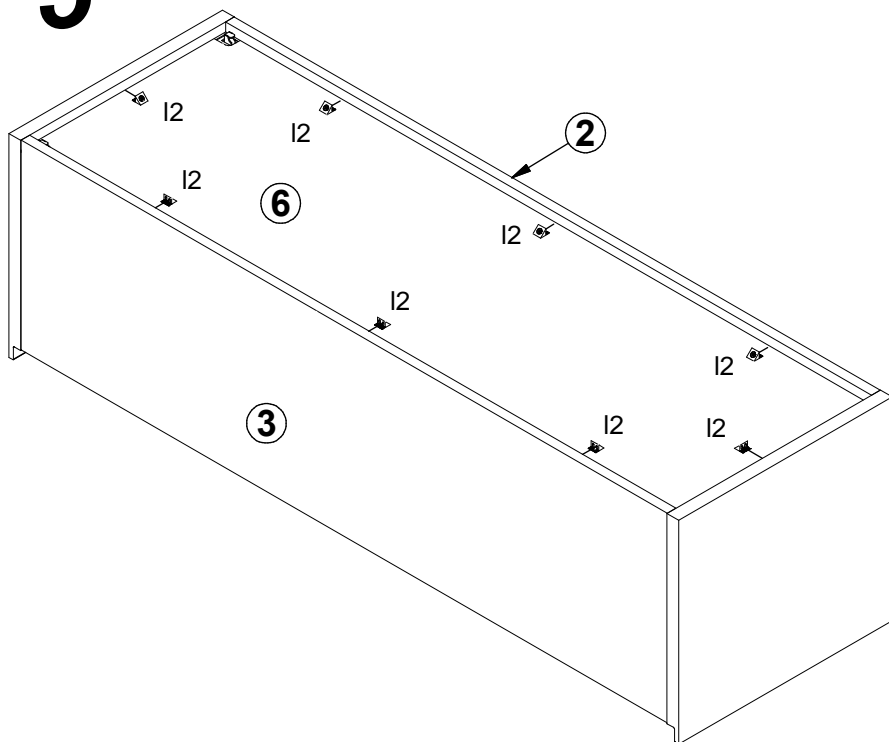
S507-SFW1D/13/4

10 H9 -- 11

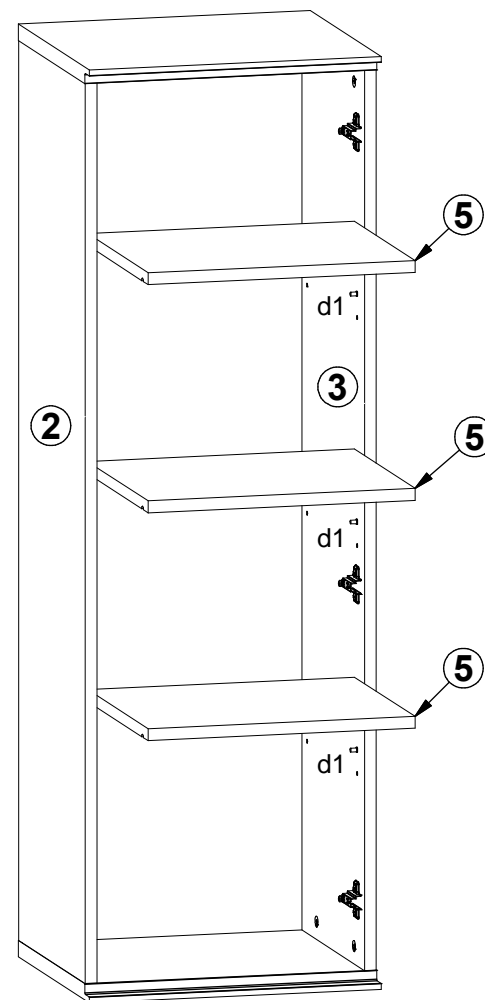
6 / 8

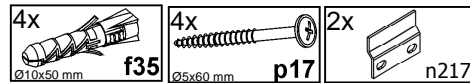
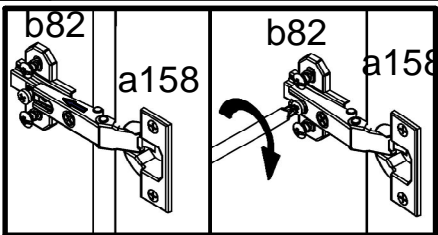


5

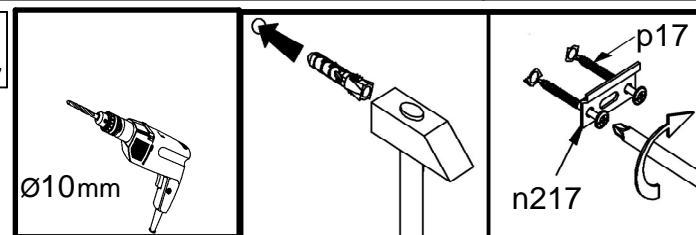


6

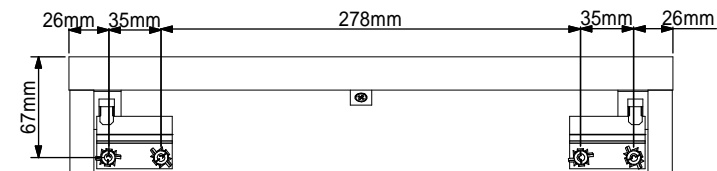
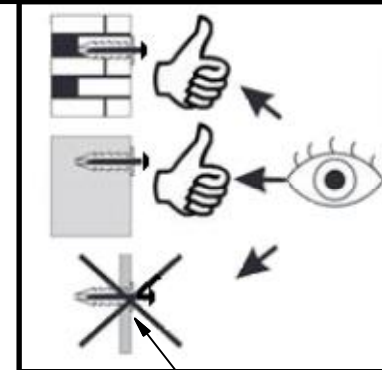
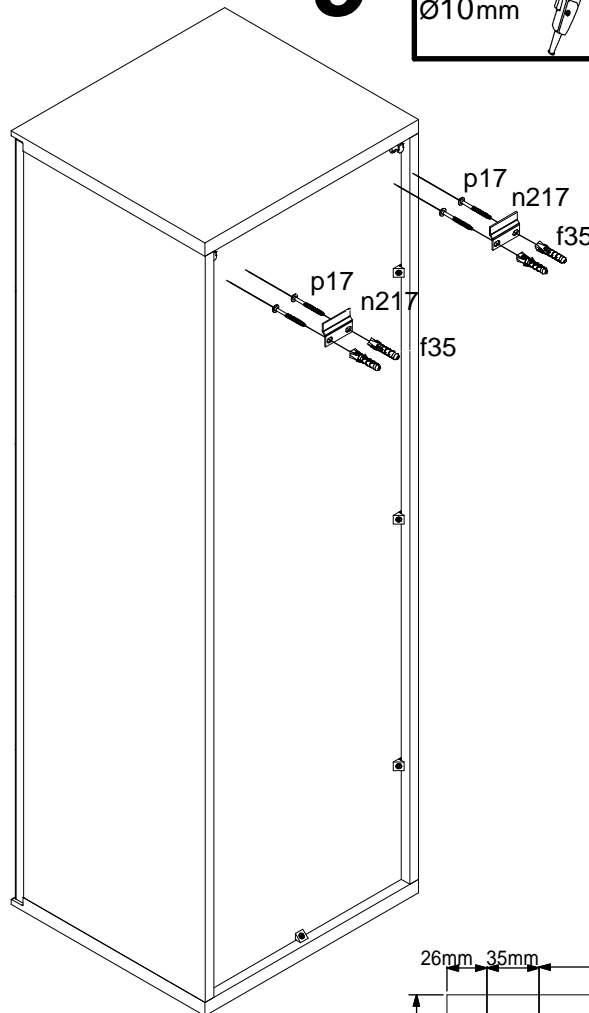
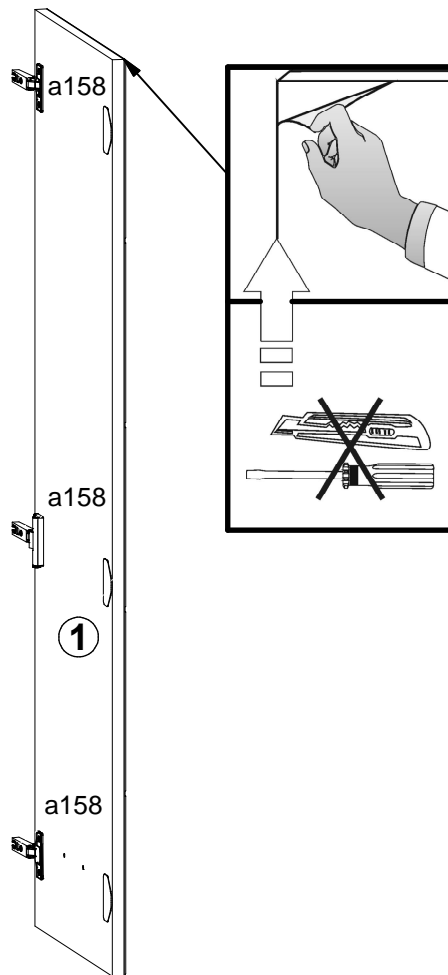
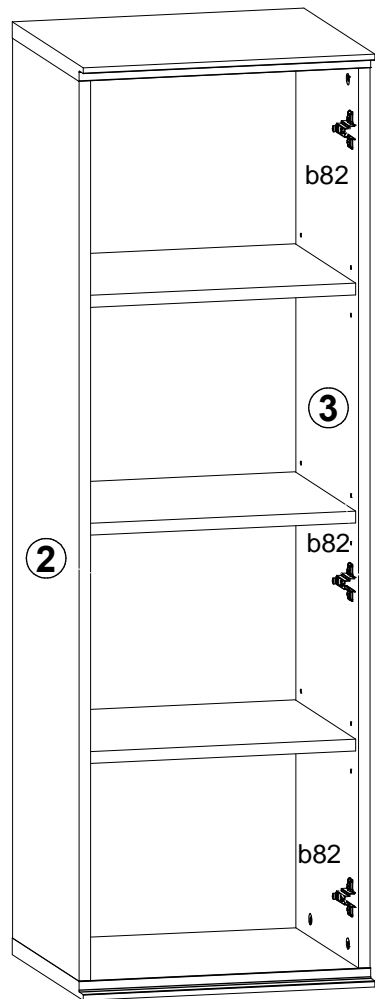




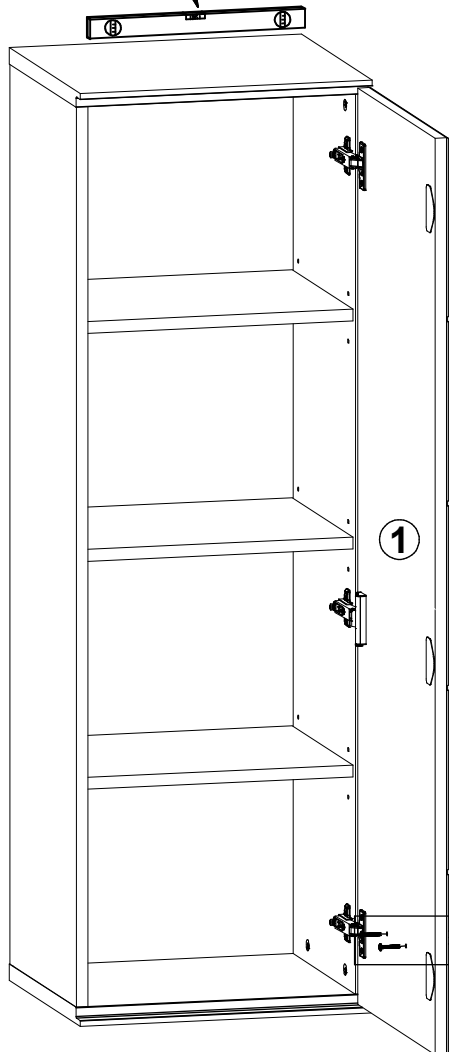
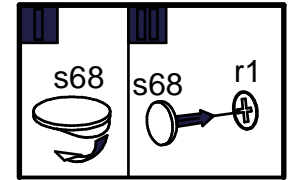
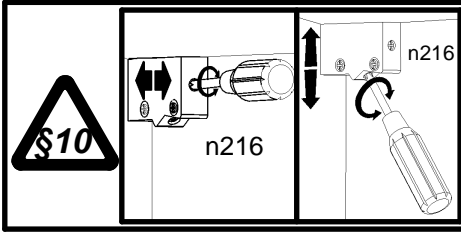
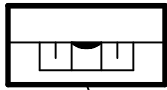
8



7



9



- 1x 96mm c418
- 2x M4x25 mm j8
- 8x Ø 20mm s68

